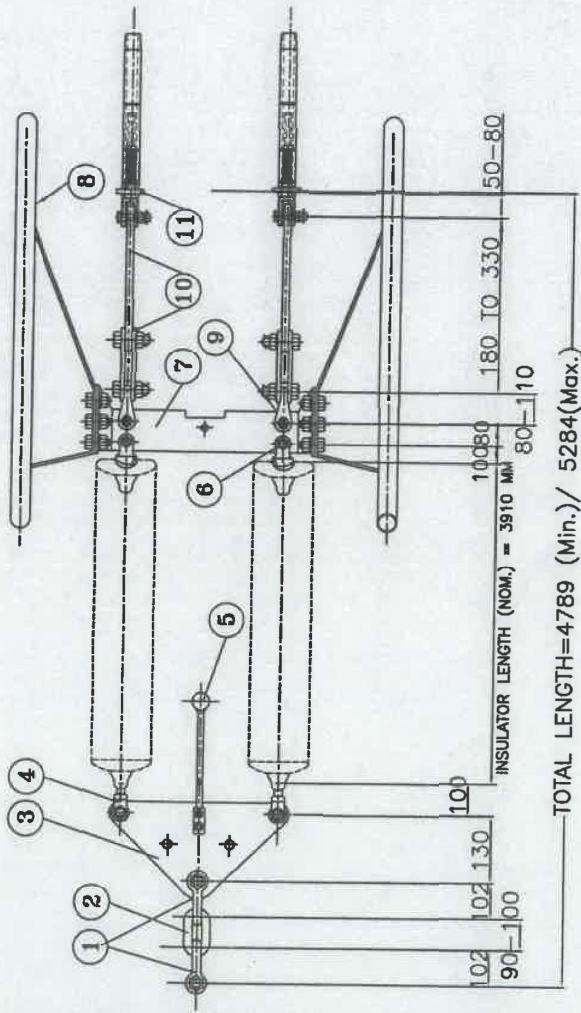


TECHNICAL DETAILS:

- 1) ALL DIMENSIONS ARE IN mm.
- 2) GENERAL TOLERANCES : ±3%.
- 3) ALL FERROUS PARTS HOT DIP GALVANISED & SPRING WASHER ELECTRO GALVANISED AS PER POWERGRID SPECIFICATION.
- 4) ALL DIMENSIONS ARE AFTER GALVANISATION EXCEPT DRILLED HOLES.
- 5) HARDWARE TOLERANCES ON LENGTH ±2%.



TOTAL LENGTH=4789 (Min.)/ 5284(Max.)

Sr. No.	DESCRIPTION	PART NO.	UTS	QTY.	REF
11	COMPRESSION DEADEND	CDE-MOOSE	----	2	CDE-002
10	SAG ADJUSTABLE PLATE	SAP-160-01	160 KN	2 SET	SAP-001
9	CLEVIS EYE	CE-160-01	160 KN	2	CE-001
8	CORONA RING	CR-400-03A	----	2	CR-001
7	YOKE PLATE	YP-RT-320-03	320 KN	1	YP-RT-001
6	SOCKET CLEVIS	SC-175-01	175 KN	2	SC-001
5	ARCING HORN (BALL)	AH-BL-02C	----	1	AHB-001
4	BALL CLEVIS	BC-175-01A/ BC-175-01B	175 KN	2	BC-001
3	YOKE PLATE	YP-TR-350-02	350 KN	1	YP-TR-001
2	CHAIN LINK	CL-320-01	320 KN	1	CL-001
1	ANCHOR SHACKLE	AS-350-02	350 KN	2	AS-001

POWER GRID CORPORATION OF INDIA LIMITED
(A GOVERNMENT OF INDIA ENTERPRISE)



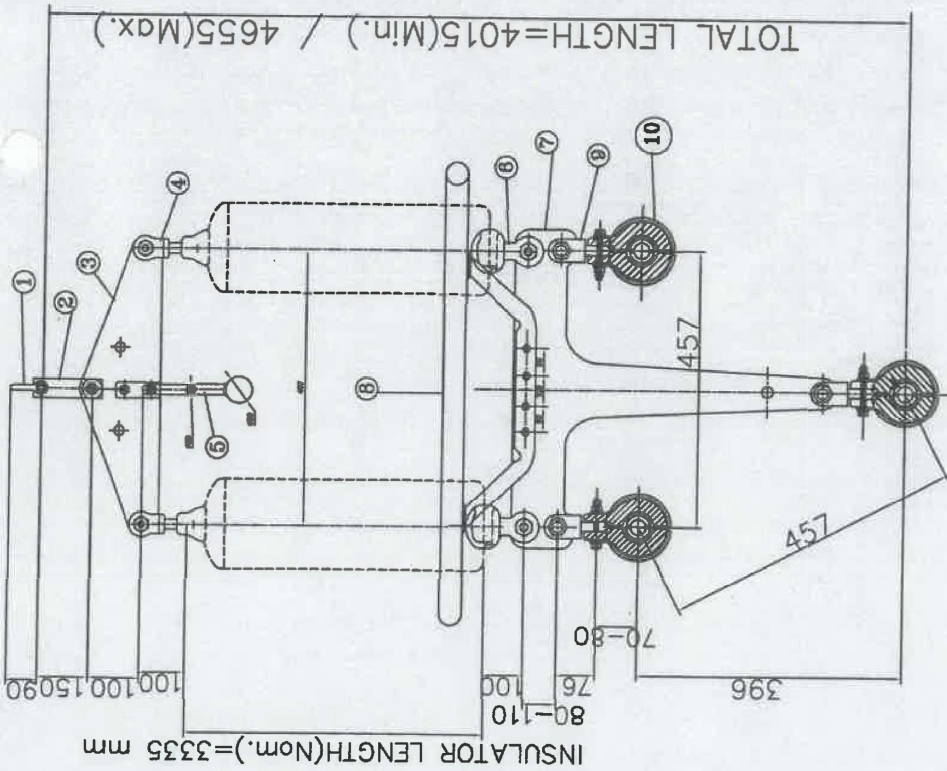
TITLE:- 400 KV DOUBLE TENSION INSULATOR STRING FOR TWIN MOOSE ACSR CONDUCTOR, UTS-320 KN

CLEARED BY

19.11.19
DATE

SR. GM (ENGG-TL)
MGR. (ENGG-TL)
CGM (ENGG-TL)
ED (ENGG)
GM (ENGG-TL)

DRG. NO.:- CC:ENGG:TL/HW/400 KV/TWIN/DT



TECHNICAL TAILS:

- 1) ALL DIMENSIONS ARE IN mm.
- 2) GENERAL TOLERANCES : ±3%.
- 3) ALL FERROUS PARTS HOT DIP GALVANISED & SPRING WASHER ELECTRO GALVANISED AS PER POWERGRID SPECIFICATION.
- 4) ALL DIMENSIONS ARE AFTER GALVANISATION EXCEPT DRILLED HOLES.
- 5) HARDWARE TOLERANCES ON LENGTH ±2%.



**POWER GRID CORPORATION
OF INDIA LIMITED**
(A GOVERNMENT OF INDIA ENTERPRISE)

**TITLE: 400 KV DOUBLE "I" SUSPENSION INSULATOR
STRING FOR TRIPLE ACSR "SNOWBIRD" CONDUCTOR.**

UTS-240 KN

CLEARED BY

SR. CM
(ENGG-TL)

CGM
(ENGG-TL)

MGR.
(ENGG-TL)

CH. MGR.
(ENGG-TL)

ED
(ENGG)

GM
(ENGG-TL)

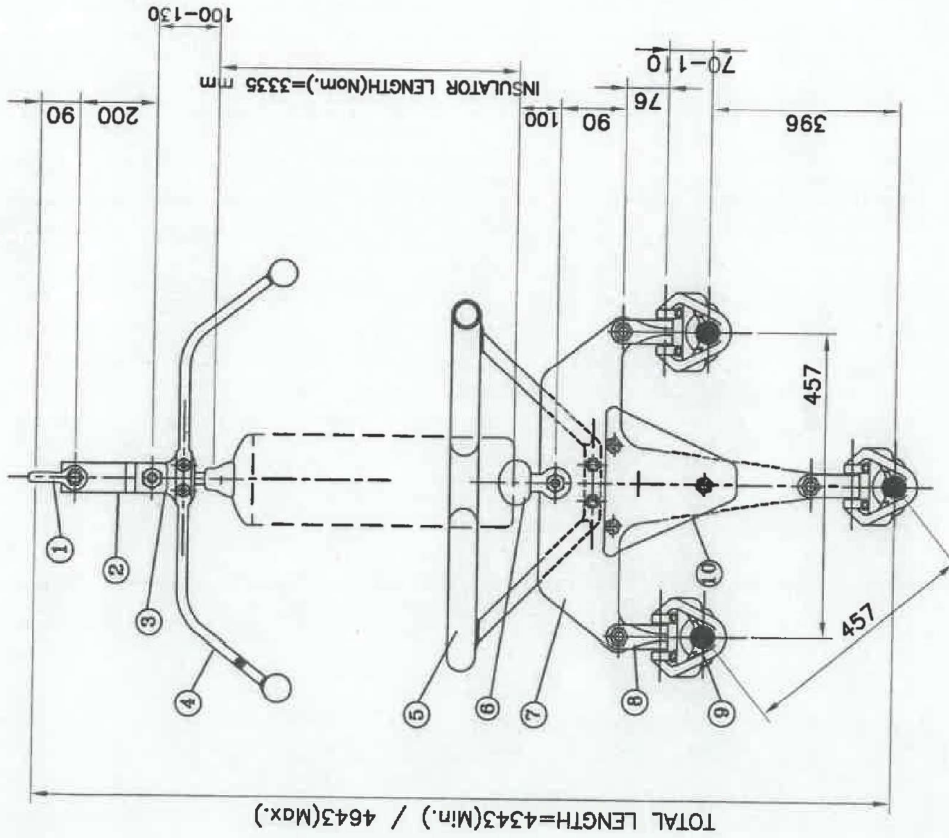
DATE
14.11.19

DRG. NO. :- CC:ENGG:TL/HW/400 KV/TRIPLE/DIS

Sr. No.	DESCRIPTION	PART NO.	UTS	QTY.	REF
10	SUSPENSION CLAMP(A.G.S)	AGS-SNOWBIRD	70 KN	3	AGS-001
9	CLEVIS EYE	CE-90-01	90 KN	3	CE-001
8	CORONA RING	CR-400-02	----	1	CR-001
7	YOKE PLATE	YP-C-T-240-01	240 KN	1	YP-C-T-001
6	SOCKET CLEVIS	SC-120-01	120 KN	2	SC-001
5	ARCING HORN (BALL)	AH-BL-02B	----	2	AHB-001
4	BALL CLEVIS	BC-120-01	120 KN	2	BC-001
3	YOKE PLATE	YP-TR-240-02A	240 KN	1	YP-TR-001
2	Y-STRAP	YS-240-01	240 KN	1	YS-001
1	ANCHOR SHACKLE	AS-240-01	240 KN	1	AS-001
					DRG:CC:ENGG:TL/HW

TECHNICAL DETAILS:

- 1) ALL DIMENSIONS ARE IN mm.
- 2) GENERAL TOLERANCES : ±3%.
- 3) ALL FERROUS PARTS HOT DIP GALVANISED & SPRING WASHER ELECTRO GALVANISED AS PER POWERGRID SPECIFICATION.
- 4) ALL DIMENSIONS ARE AFTER GALVANISATION EXCEPT DRILLED HOLES.
- 5) HARDWARE TOLERANCES ON LENGTH ±2%.



**POWER GRID CORPORATION
OF INDIA LIMITED**
(A GOVERNMENT OF INDIA ENTERPRISE)



**TITLE:- 400 KV SINGLE I SUSPENSION PILOT INSULATOR
STRING FOR TRIPLE ACSR "SNOWBIRD" CONDUCTOR
WITH COUNTER WEIGHT. UTS-120 KN**

CLEARED BY

SR. GM (ENGG-TL)	CGM (ENGG-TL)	ED (ENGG)
14.11.19	2/3/21	
DATE	MGR (ENGG-TL)	CH. MGR (ENGG-TL)

DRG. NO.:- CC:ENGG:TL/HW/400 KV/TRIPLE/SISP

Sr. No.	DESCRIPTION	PART NO.	UTS	QTY.	REF
10	COUNTER WEIGHT	CW-01	---	1 SET	CW-001
9	SUSPENSION CLAMP	ENV-SNOWBIRD	70 KN	3	ENV-001
8	CLEVIS EYE	CE-90-01	90 KN	3	CE-001
7	YOLKE PLATE	YP-C-T-120-02	120 KN	1	YP-C-T-001
6	SOCKET CLEVIS	SC-120-01	120 KN	1	SC-001
5	CORONA RING	CR-400-01	---	1	CR-001
4	ARCING HORN (BALL)	AH-BL-01B	---	1	AHB-001
3	BALL EYE (HORN HOLDER)	BE-120-01	120 KN	1	BE-001
2	Y-STRAP	YS-120-01	120 KN	1	YS-001
1	ANCHOR SHACKLE	AS-120-01	120 KN	1	AS-001
					DRG:CC:ENGG:TL/HW

